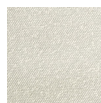


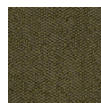
# Podium 5PC Corner Sectional



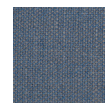
Bayview  
Silver



Copenhagen  
Fossil



Copenhagen  
Terra



Hanson  
Navy

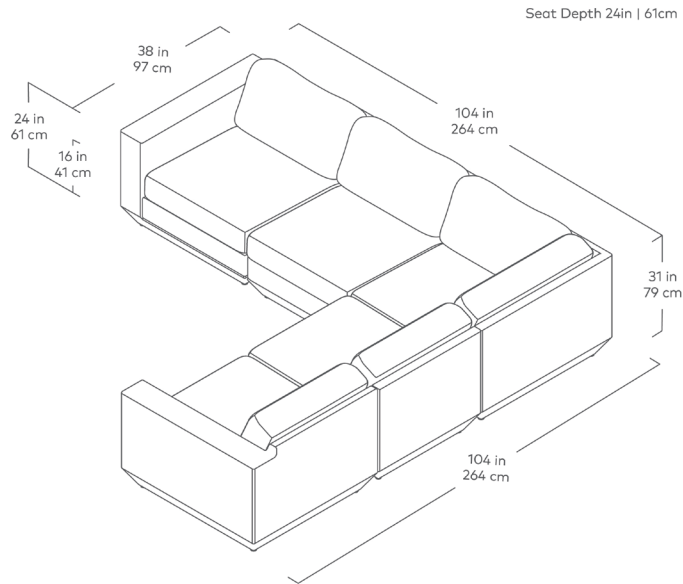
The Podium Modular Collection is an adaptable seating system that brings modern elegance and luxurious comfort to any space. The Podium features seven core components (Right Arm, Left Arm, Armless, Corner, Ottoman, Left Lounge and Right Lounge) that can be arranged in unlimited configurations to suit any vision or layout. Each component showcases a relaxed silhouette inspired by 1970's Modernism. The frames are constructed with kiln-dried 100% FSC®-Certified hardwood in support of responsible forest management. Podium uses a clean, ultra soft, long-strand fiber fill material that offers the comfort and feel of traditional waterfowl down. This material is created through a process that benefits the environment by diverting 2612 plastic bottles away from landfills, waterways and oceans for each Podium Modular 5PC Corner Sectional we build.

Design Trade Professionals: We aim to keep our designs in stock and ready to ship quickly for projects on a tight timeline. Designs may be customized with COM and alternate finishes (minimum quantities may apply).





# Podium 5PC Corner Sectional



- 7 different components - Arm Left Facing, Arm Right Facing, Armless, Corner, Right Lounge, Left Lounge and Ottoman.
- Cushions contain an eco-friendly, synthetic-down fill made from 2612 recycled plastic water bottles.
- Seat cushions are crafted with high resiliency, medium density foam and use our eco-friendly PET synthetic-down which is created from recycled water bottles.
- PET fill is evenly distributed throughout sewn interior pockets, which provide maximum comfort while maintaining overall cushion shape.
- Inner frame is 100% kiln-dried FSC®-Certified hardwood in support of responsible forest management (FSC® 092551).
- Each component includes concealed buckle connectors to securely join them to each other while in sectional or sofa formation.
- Plastic bumpers on base to prevent floor damage.
- All joints have been stress tested.
- 9-gauge No-Sag, sinuous spring suspension system.
- Manufactured to meet California TB117-2013 fire safety standards without the use of flame retardant additives in the upholstery foam.



**Gus\***



PROFESSIONALS

**rypen**  
STUDIO

Register for Our Exclusive  
Project Builder + Ordering Platform

